

INSIDE

OUTSIDE

50
328,60
328,60
328,60
328,60
328,60
328,60
328,60
50

2400

600

3000 C/C

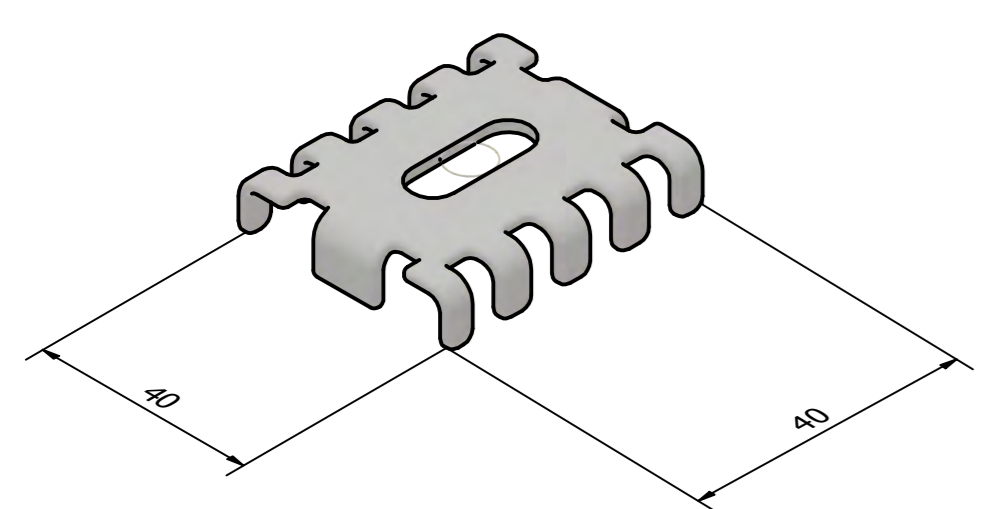
GL

SQ Tubing

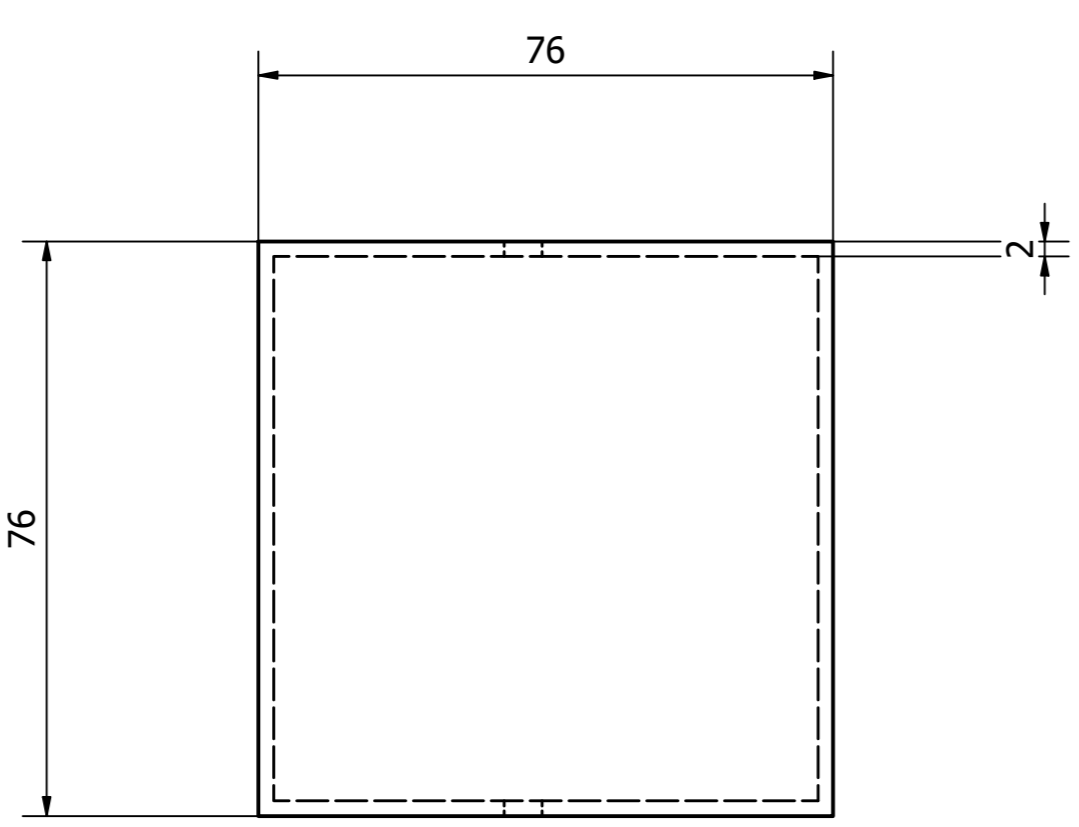
CONCRETE

OUTSIDE MESH FENCE

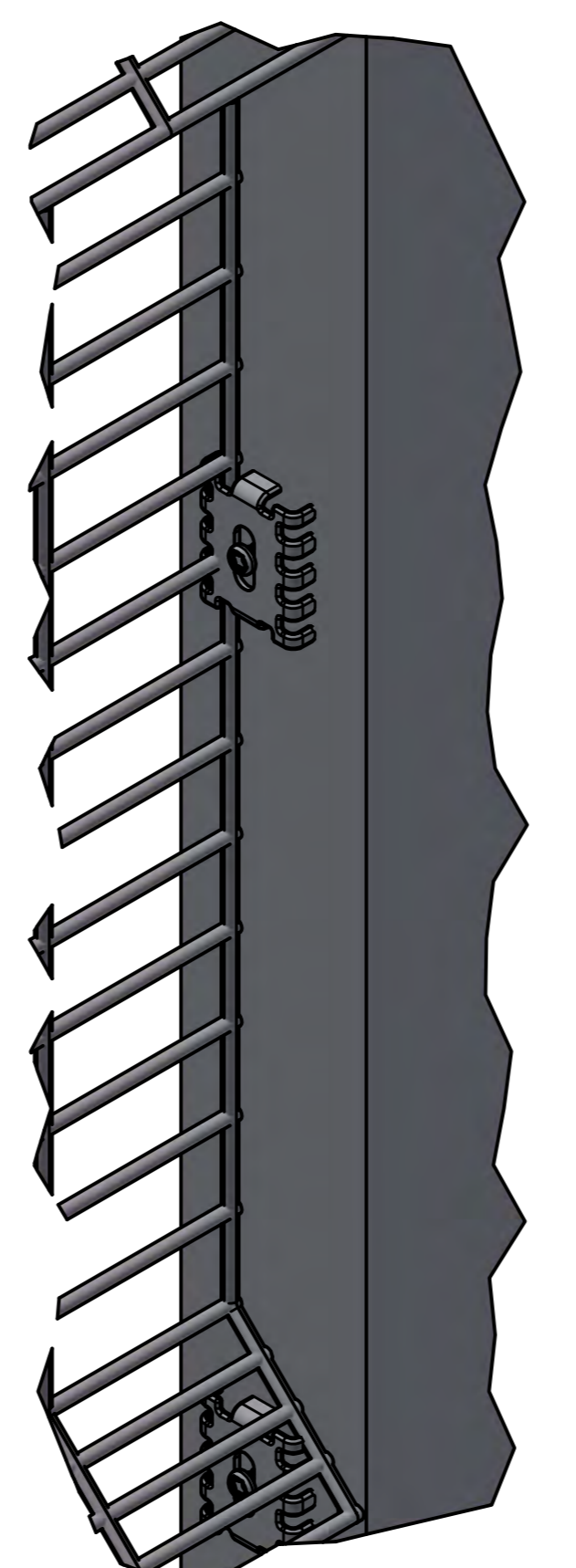
INSIDE MESH FENCE



40 X 40X 5 THK
SPIDER CLAMP



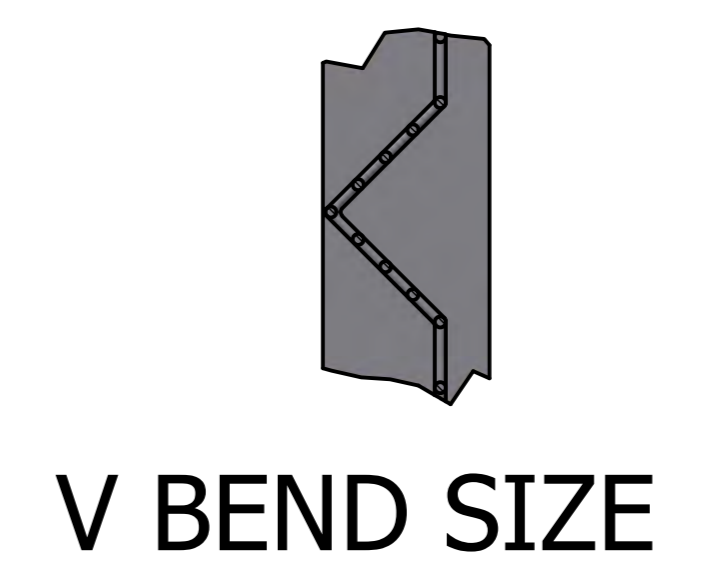
SQ Tubing 76 X 76 X 2 THK



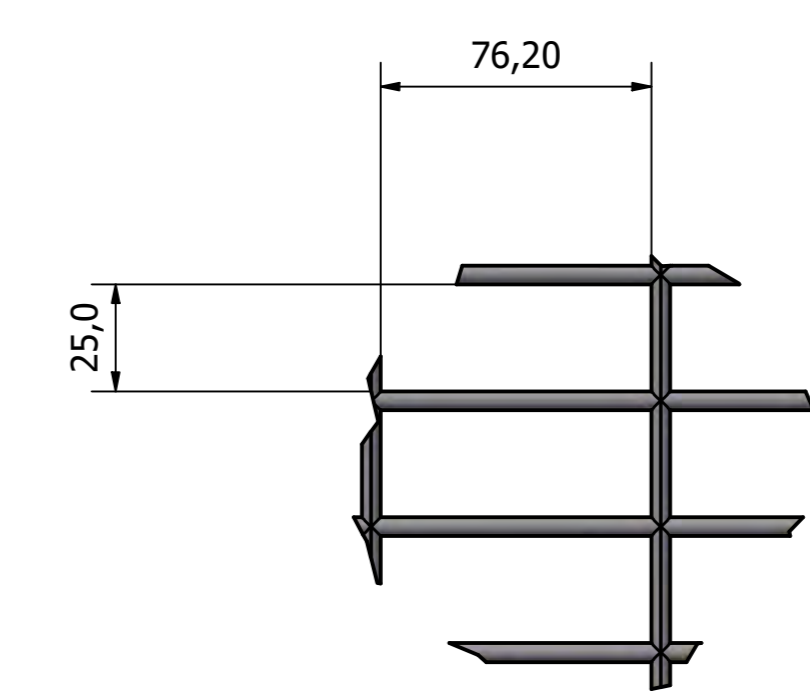
CLAMP DETAIL



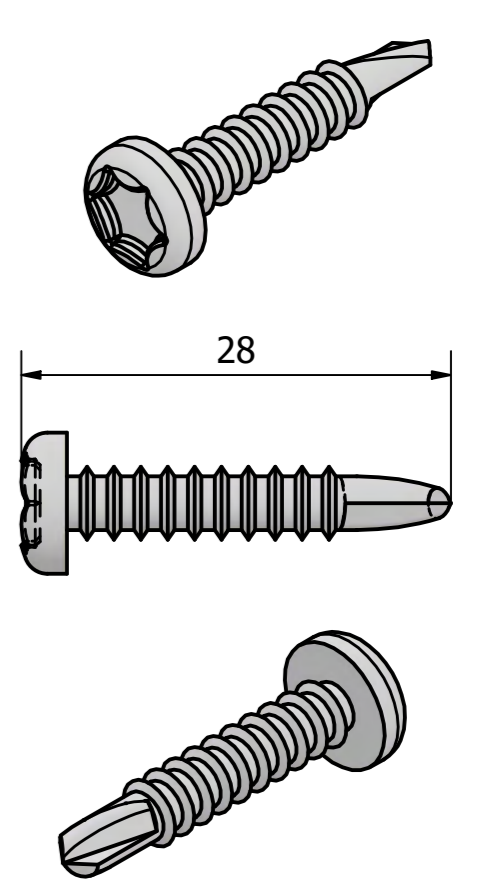
SPIDER CLAMP
ASSEMBLY



V BEND SIZE



MESH SIZE



Anodised
Self Tapping Screw

PARTS LIST			
ITEM	QTY	PART NUMBER	DESCRIPTION
3	1	CONCRETE BLOCK	
4	8	SPIDER CLAM ASSY	
5	40	MESH-PANNEL..	
6	1	MESH-PANNEL..	
7	1	76x76x2 Tubing	
8	1	76x76x2 Tubing	
9	1	CONCRETE BLOCK	
10	8	SPIDER CLAM ASSY	



Designed by Jurgens	Checked by Weber	Approved by Weber	Date 3/6/2024	Date 3/6/2024
2.4 M Fence MAIN GA				Sheet 1 / 1